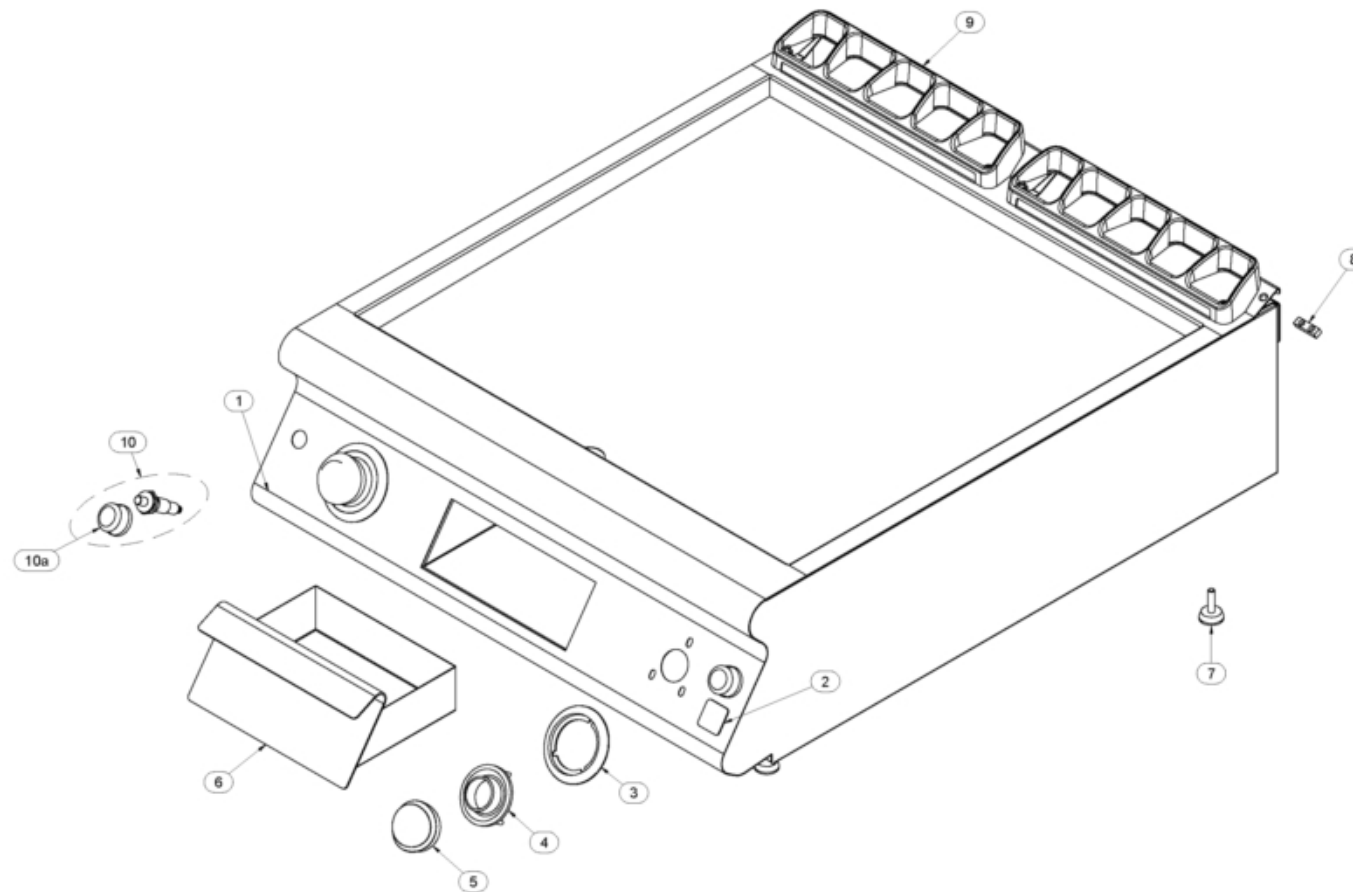


Mod./Type: 70/... FT...GS... - 90/... FT...GS...
SIMPLE

cod./num. 2531675.00

data/date: 16/06/2014





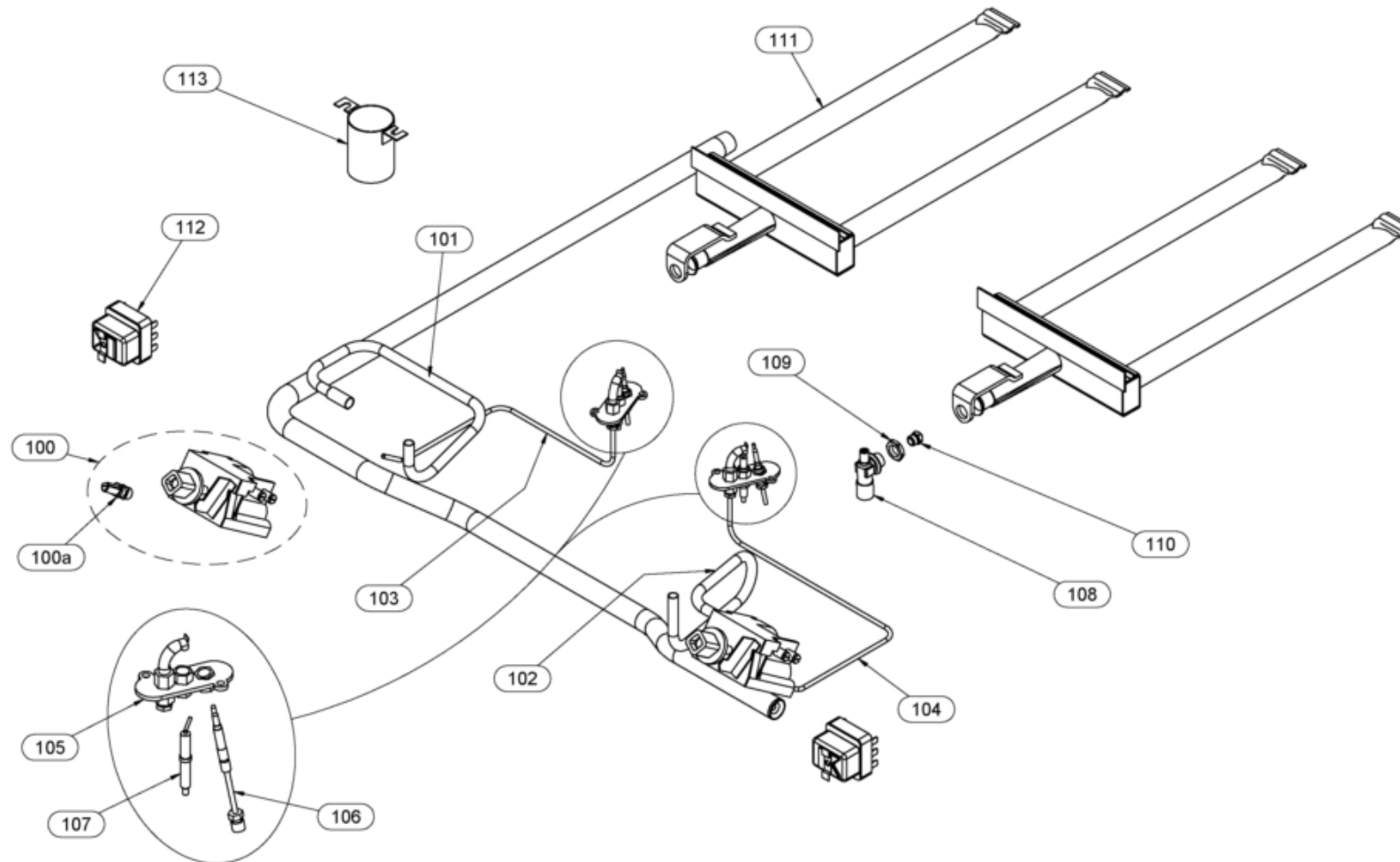
VUE ÉCLATÉE EXTÉRIEUR TOP

Pos.	Réf.	Description	De	À
0001	256.455.00	KIT ASS. CRUSCOTTO M80 FTG-S EM+COP	15/12/2011	14/07/2015
0001	256.455.13	KIT ASS. CRUSCOTTO M80 FTG-S EM+COP	15/07/2015	
0002	982.021.00	MARCHIO "M" 35x35 ALLUMINIO	15/12/2011	31/01/2014
0002	982.023.00	MARCHIO LOGO 35x35 ALLUMINIO EM****	01/02/2014	
0003	910.228.00	SCREEN PRINT		
0004	256.235.00	KIT LABYRINTH KNOB GREY EM		
0005	256.243.00	OVEN KNOB		
0006	6111249.00	DRAWER ASSEMBLY FOR FT-S M80 EM		
0007	951.083.00	PIEDINO D25 M8 H(FILETTO) 54		
0008	941.130.00	PIASTRINA GIUNZIONE POST.APP.EM		
0009	982.012.00	GRIGLIA CAMINO BASSO 400 EMOTION		
0010	912.091.00	ASS.ELECTRIC PIEZO		
010a	951.047.00	PIEZO CAP		

Mod./Type: 70/... - 90/... FT...GS-CR... / ...-TR... SIMPLE
90/... FT...G-CR / ...-TR... EXTREME

cod./num. 2531683.00

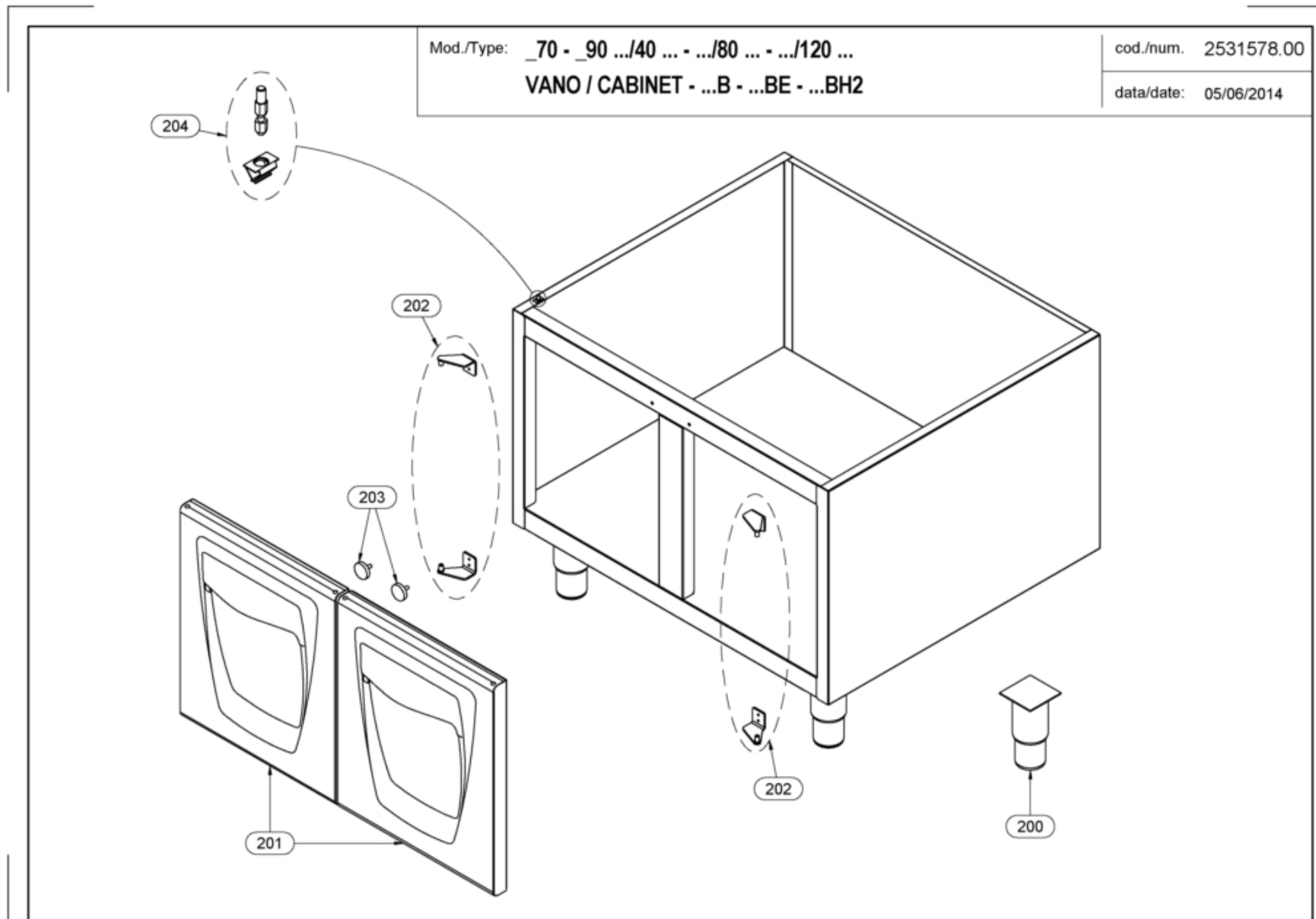
data/date: 16/06/2014





VUE ÉCLATÉE TOP

Pos.	Réf.	Description	De	À
0100	256.277.00	GAS VALVE SIT0630349		
0101	256.290.00	K. COND.SX VALV. FTGS-CR EM700+D+B		
0102	256.291.00	K. COND.DX VALV. FTGS-CR EM700+D+B		
0103	256.292.00	K. COND.SX PILOTA FTGS-CR EM700+D+B		
0104	256.293.00	K. COND.DX PILOTA FTGS-CR EM700+D+B		
0105	672.173.00	PILOT TARGET 0140015		
0106	6101082.00	KIT THERMOCOUPLE INTE.0270422+ CABL		
0107	256.060.00	KIT BOUGIE ALL.M4 ST 0915024+RACC.		
0108	673.023.00	INJECTOR HOLDER DIAM.10		
0109	673.024.00	NUT M14X1		
0110	265.012.00	KIT UGELLI FT 70 CR-TR EM		
0111	672.153.00	BRUCIATORE FRY-TOP 6 KW EMOTION		
0112	661.115.00	THERMOSTAT SEC. - EGO 55.32562.822		
100a	941.129.00	JOINT KNOB EUROSIT VALVE		





VUE ÉCLATÉE EXTÉRIEUR ARMOIRE/FOUR

Pos.	Réf.	Description	De	À
0200	912.090.00	PIEDE D.2" VITE M10 CENTRALE H135**	15/12/2011	17/05/2013
0200	912.090.14	ASS.PIEDINO 2" H.135 FLANG.78x78x2	18/05/2013	
0201	256.215.00	KIT ASSIEME PORTA VANO M40 EMOTION		
0202	256.216.00	KIT ASS. CERNIERE X PORTA M40+BOCC.		
0203	684.007.00	DOOR MAGNET RPV 22	15/12/2011	01/01/2014
0203	984.006.00	MAGNET Ø20XH6 - M5X15 - 10KG	02/01/2014	
0204	256.431.00	KIT AGGANCIO BASE VANO PERNO+MOLLA		